

PJS TJ300SP PRINTER



The PJS-TJ300SP is the next generation universal state-of-the-art printing system from PRINTJET TIJ Printers.

With a 5" touch screen controller that connects to the EXPERT printhead (TIJ 2.5 technology), the 300SP is capable of high-speed applications and is highly adaptable to your packaging printing needs



VERSATILE



Easy to use

5" Touch Screen with intuitive WYSIWYG interface



Integration

Sleek & streamlined for easy integration with 3rd party products



Flexible

Variable database function to meet the requirements in all kinds of applications

ADAPTABLE



High Quality

Max. 600dpi print quality



High Speed

76m/min @ 300x300 dpi



Head Printing

Connect to a single printhead



- ✓ User friendly 5" touchscreen color display with WYSIWYG graphical interface
- ✓ Easy to setup and integrate with any production line/ devices (PLC, Camera, Check-weigher, etc)
- ✓ Built-In Internal Sensors
- ✓ Single printhead support

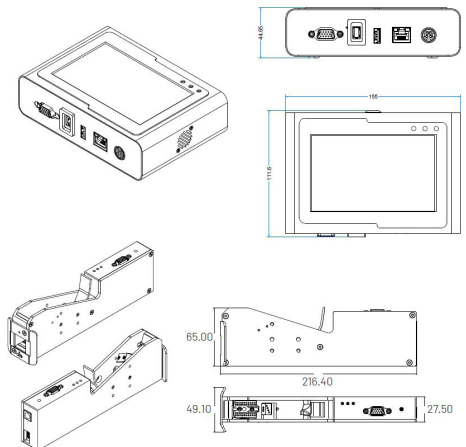
- ✓ High quality 600 dpi max print resolution
- ✓ High speed print at 76m/min at 300dpi
- ✓ Print height of up to half inch (12.7mm)
- ✓ Print length of up to 1.5m

- ✓ Wide Selection of Aqueous, Solvents & UV inks available
- ✓ Minimal downtime, ink cartridges can be replaced easily
- ✓ No long start/shutdown procedure to follow
- ✓ Minimal printhead cleaning, filter replacement or any maintenance requirements

SPECIFICATIONS

TECHNICAL SPECIFICATIONS

Printing Technology	HP TIJ 2.5
Printhead Dimensions	216.4 x 49.1 x 65 mm
Print Head Weight	412.4g
Power Supply	AC 100V–240V, 50/60Hz, DC 24V 2.5A
Print Speed	76m/min @ 300x300 dpi
Controller Dimensions	155 x 107 x 40 mm
Controller Weight	622g
Display	5" LCD Touch Screen
Resolutions	Max 600 DPI
Density	3 levels
Throw Distance	5mm



- Wide Range Of Print Types : Text, Counter, Box/Lot, Datetime, Expiry Date, Julian Date, Shiftcode, Image, Database, 1D & 2D Barcodes, (Code 11, Code 39, Code 128, EAN, QR, Datamatrix, GS1 Datamatrix...)
- Printable Height : Maximum 12.7mm
- External Connections : Build in sensor, External Sensor Encoder and Alarm beacon
- Template Length : 1.5m
- Database : TXT, CSV, SQL, MySQL, SQLite, JSON
- Advance Features : Free design in template up to 1 inch (1 head), POD (Print online data) Integrate with other, devices (PLC, Camera, heck weigher...) via, RJ45, Real-time Printing, WYSIWYG (what you see is what you get), Data upload, Backup & Recovery via USB
- Printable Characters : Windows true fonts - Free design in template up to 1 inch (1 heads)
- Print Languages : English (default), Vietnamese, Chinese (PRC), Turkish, Korean, Russian, Japanese, Hebrew, Spanish, Thai, Portuguese and Arabic
- System Languages : English (default), German, Vietnamese, Chinese, Korean, Russian, Turkish, Portuguese, Spanish, Polish, Greek and Italian (and others)



PRINT JET SOLUTIONS LLP

#22, Huliappa Arcade, 2nd Floor, 2nd Block, Nagarbhavi 2nd Stage, Bangalore-72

Contact : +91 8861588815, +91 80 29773733

Email : info@printjetsolutions.in Web : www.printjetsolutions.in

◆HYDERABAD ◆CHENNAI ◆KOCHI ◆VISHAKAPATTANAM ◆MYSORE ◆COIMBATORE ◆CHITTOOR ◆HUBLI

CIJ - TIJ - TTO - LASER - LEASE - PAY PER CODE - BUYBACK