



PRINT JET

REDIFINING THE BOUNDARIES OF THERMAL INKJET TECHNOLOGY



PJS-TJ600DP-EXPERT THE NEXT GENERATION OF PJS PRINTERS

- ➔ Touch screen controller
- ➔ Dual print head support
- ➔ Message length up to 2m
- ➔ Print speed up to 76m/min @ 300dpi
- ➔ Resolution up to 600dpi
- ➔ Universal UI software
- ➔ Data cable standard 2m

Simple

- ✓ **Simple installation:** Small and compact printer, easy to set up on your line using a single bracket and built-in product detector
- ✓ **Quick & easy starts:** Start printing quickly with easy-to-use message creation, editing software either in PC or using Android APP. Also using WIFI enabled keyboard, mouse. No need for lengthy training or setup
- ✓ **Hassle-free cartridge technology:** Easy to Replace cartridges. No need for ink refills and no service required - saving time and money

Affordable

- ✓ **Low initial cost:** The PJS-TJ600DP is purpose designed to provide a simple and affordable printing solution, without the cost of a 'one size fits all' printer
- ✓ **Low installation cost:** Place the PJS-TJ600DP on any level surface or fix directly to your conveyor, ideal where space is limited
- ✓ **Low running costs:** No maintenance costs and a low cost per print* (compared to labels) for small or medium production volumes

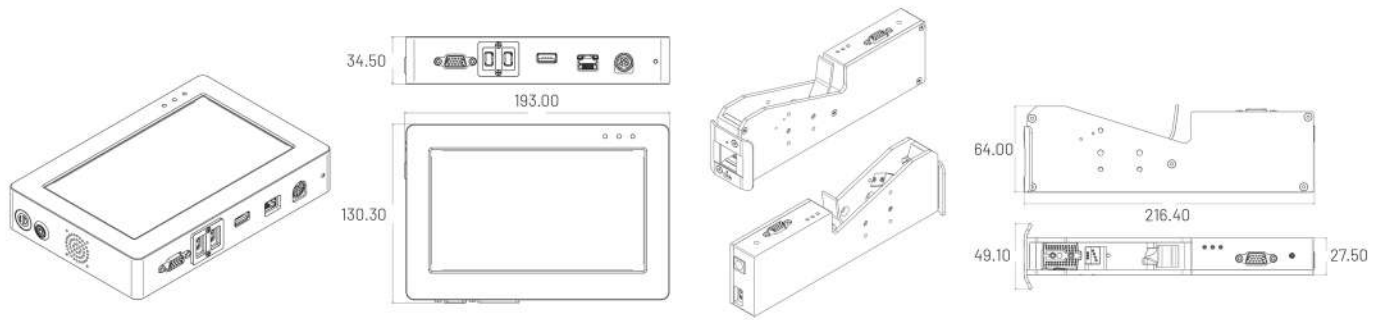
Reliable

- ✓ **Continual reliable performance:** Proven technology components provide optimum performance for the life-time of the product to keep costs down and production time up
- ✓ **No maintenance and no wear parts:** Increasing production time and reducing operating costs while delivering consistent print quality. When cartridge is changed, the printhead and ink system also automatically changed, to ensure the unit works first time, every time.
- ✓ **Long-lasting printed messages:** On a wide variety of materials and surfaces, with a range of fast drying inks available for excellent adhesion and longevity



PJS-TJ600DP-EXPERT

CODEconomically
efficiently



TECHNICAL SPECIFICATION

Printing Technologies	Plug and print with HP TIJ2.5 cartridge Controller (193 x 130.3 x 34.5 mm)
Dimensions (LxWxH)	Print head (216.4 x 64 x 49.1 mm)
Weight	Controller (888 grams), Print head max (412.4 grams)
Display	Touch screen 7 inches
Power Supply	AC 100V–240V, 50/60Hz, DC 24V 2.5A, Maximum power consumption: 60W
Resolutions	Max 600x600dpi
Print speed	Max 76m/min @ 300x300dpi
Density	Up to 3 levels of optical density
Throw Distance	Up to 5mm

FEATURES

Printability	Text, Counter, Box/Lot, Datetime, Expiry Date, Julian Date, Shiftcode, Image, Database (TXT, CSV, SQL, MySQL, SQLite, JSON) Barcodes (Code 11, Code 39, Code 128, EAN, QR, Datamatrix, GS1 Datamatrix...) POD (Print online data) Free design in template up to 1 inch (2 heads)
Advance	Integrate with other devices (PLC, Camera, Checkweigher...) via RJ45 Real-time Printing WYSIWYG (what you see is what you get) Data upload, Backup & Recovery via USB
External connection	Build in sensor External Sensor, Encoder and Alarm beacon
Length Template	Maximum length of template up to 2m
Menu languages	English (default), German, Vietnamese, Chinese, Korean, Russian, Turkish, Portuguese, Spanish, Polish, Greek and Italian
Memory	Store up to 8GB template on the printer's memory
Printable characters	Windows true fonts Automatic recognition ink type and ink parameters
Ink Management	Nozzle warming, auto-jet and self-cleaning capabilities to extend cartridge lifetime Nozzle status checking 
Ink Solutions	Solvent ink for porous and non porous material Aqueous ink for printing on porous and semi porous material Support various colors of ink:
Operational Condition	Temperature 5 - 50°C and 90% air humidity, non-condensing



PRINT JET SOLUTIONS LLP

#22, Huliappa Arcade, 2nd Floor, 2nd Block, Nagarbhavi 2nd Stage, Bangalore-72

Contact : +91 8861588815, +91 80 29773733

Email : info@printjetsolutions.in Web : www.printjetsolutions.in

◆HYDERABAD ◆CHENNAI ◆KOCHI ◆VISHAKAPATTANAM ◆MYSORE ◆COIMBATORE ◆CHITTOOR ◆HUBLI

CIJ - TIJ - TTO - LASER - LEASE - PAY PER CODE - BUYBACK